

FROTH PUMPS



Vertical Froth Pumps

Froth pumps have large diameter suction ports and with their full radial, semi-open impeller design they provide non-clogging, self-priming, high suction ability and smooth-running characteristics. They provide problem-free pumping frothy flotation concentrates.

Air trapped in froth as bubbles are separated in a specially designed conical tank operating with a principle similar to that of hydrocyclones, thus providing more effective pumping.

The shaft-rotor set is designed to slide vertically on the tank with heavy duty bodies and bearing houses suitable for extensive loading and has high safety standards and is suitable to bear all vertical loads. The sliding ability provides impeller openings to be adjusted correctly, quickly and easily.

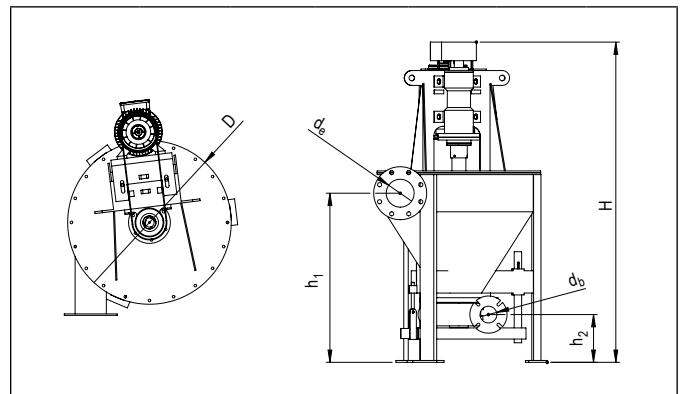
Pump casing can be opened in place without dismantling with the sliding ability and therefore rubber lining and impeller replacements can be done quickly and easily. As the motor and pump are coupled by belt-pulley arrangement, the pump works without impact thus it is protected against overloading.

SPECIFICATIONS

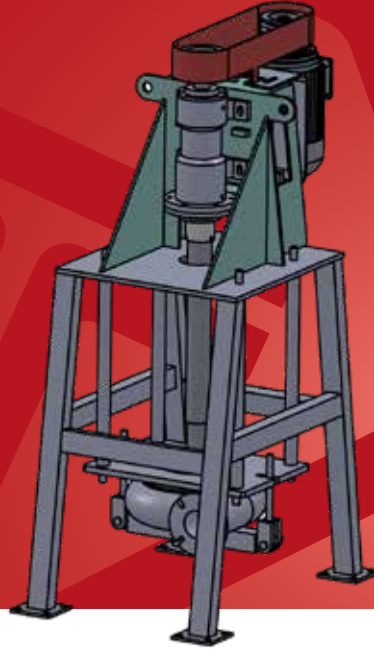
- 24-hour non-stop operation
- Easy maintenance
- Prompt supply of high-quality, reasonably priced spare parts

VERTICAL FROTH PUMPS			
	*Motor (kW)	Motor Speed (rpm)	Weight (kg)
YDP 50	5.5	1500	380
YDP 80	5.5	1500	450
DP 100	30	1500	1200
DP 150	30	1500	1300

*Subject to change as to plant conditions



VERTICAL FROTH PUMPS						
	H	D	h ₁	h ₂	d _e	d _b
YDP50	880	1725	910	235	150	50
YDP80	880	1725	910	255	150	80
DP 100	2980	1510	1570	425	200	100
DP 150	2980	1510	1570	420	200	150

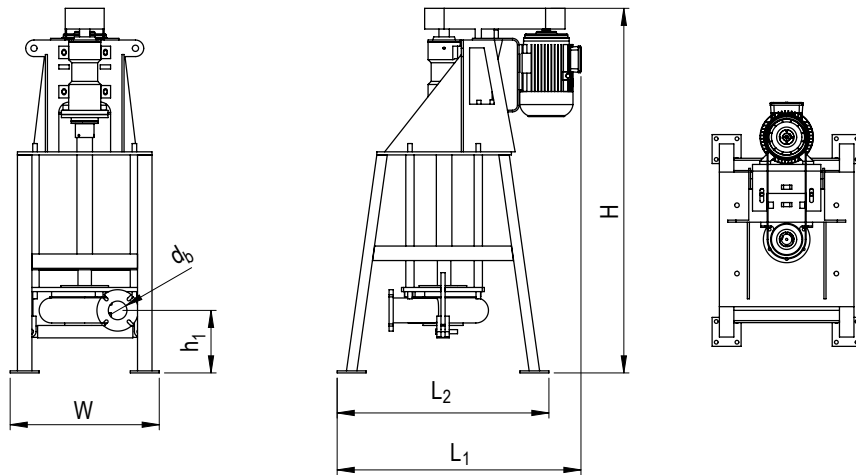


Vertical / Froth Pumps Without Sump

These pumps have the same function and operation system as froth pumps with sump. They are produced without the sump upon request.

SPECIFICATIONS

- 24-hour continuous operation
- Easy maintenance
- Prompt supply of high-quality, reasonably priced spare parts



VERTICAL/FROTH PUMPS WITHOUT SUMP

	H	W	L ₁	L ₂	h ₁	d _b
YDPH50	880	1760	1175	1025	180	50
YDPH80	880	1760	1175	1025	300	80
	*MOTOR (kW)		MOTOR SPEED (rpm)		WEIGHT (kg)	
YDPH50	7,5		1500		650	
YDPH80	7,5		1500		720	

*Subject to change as to plant conditions.



TÜFEKÇIOĞLU
RUBBER & MACHINERY

1. Organize Sanayi Bölgesi, Avar Cad. No: 6, 06935 Sincan / ANKARA
Tel: 0312 267 10 90 | Fax: 0312 267 10 94